



PRODUCT RANGE

SE364TD New product

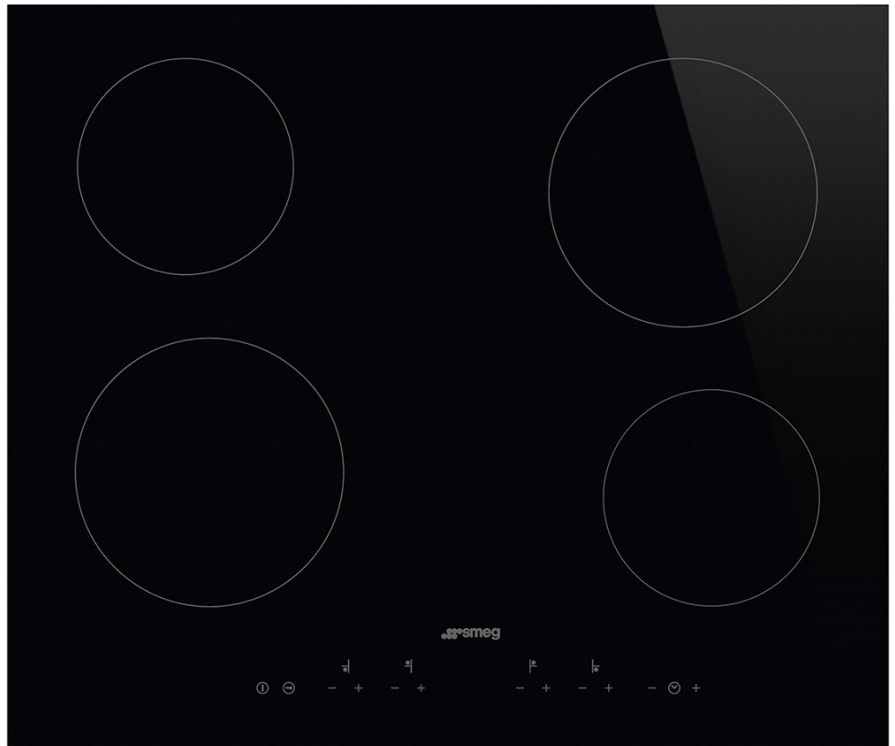
60cm Touch Control Ceramic
Hob with Straight Edge Glass

EAN13: 8017709234720

- 4 "High-light" radiant cooking zones
- Rear Left: Ø 148mm, 1.20 kW
- Front Left : Ø 184mm, 1.80 kW
- Rear Right : Ø 184mm, 1.80 kW
- Front Right : Ø 148mm, 1.20 kW

- Black ceramic glass
- 9 power levels
- End of cooking acoustic alarm
- Quick start
- Keep warm automatic function
- Residual heat indicators
- Ecologic – Energy saving option
- Child safety lock
- Automatic safety cut-out

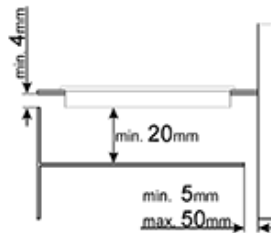
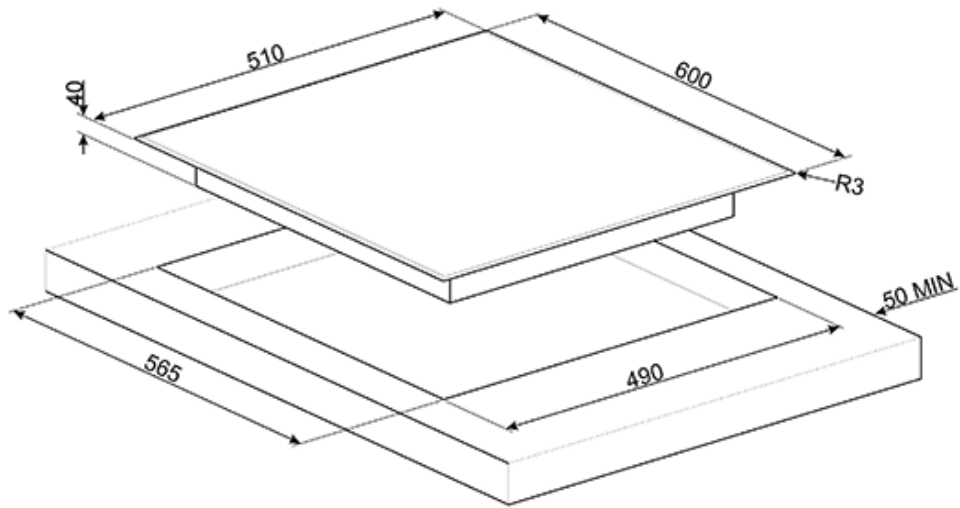
- Nominal power: 6.00 kW





SE364TD

ceramic hob
60 cm
black
touch control



Smeg (UK) Ltd
The Magna Building, Wyndyke Furlong, Abingdon
OX14 1DZ
Tel. +44 (0)844 557 9907
Fax +44 (0)844 557 9337

PS60GHC

Product Family: Hob
Dimension: 60 cm
Type: Gas
Building in type: Standard
Aesthetics: Classic
Colour: Stainless steel
St steel Type: Brushed
Burners: Contemporary Smeg
Pan stands: Cast iron
EAN code: 8017709182359



Programs / Functions

Total cook zones: 4
Total gas cook zones: 4

Controls

Control setting: Knobs

Cooking zones

Front left - Gas - RP - 3100 W
Rear left - Gas - SRD - 1700 W
Rear right - Gas - SRD - 1700 W
Front right - Gas - AUX - 1050 W

Technical Features

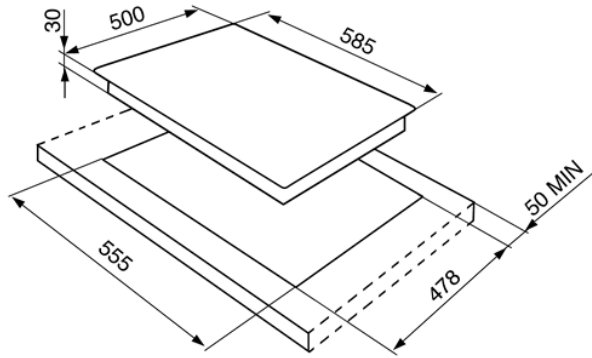
Gas Type: G20 Natural gas
Gas safety valves

Accessories Included

Moka iron stand: 1
Other nozzles gas included: G30 GPL Liquid gas

Electrical Connection

Electrical connection rating (W): 1 W
Voltage (V): 220-240 V
Cord type: Single phase
Frequency (Hz): 50/60 Hz



KSET61E

INTEGRATED HOOD, 60 CM, UNIVERSALE,
SILVER, ENERGY RATING E

EAN13: 8017709208677

| Speed | I | II | III |
|-----------------------------------|-----|-----|-----|
| EXTRACTION RATE IEC 61591: | 190 | 250 | 300 |
| NOISE LEVEL dB(A) IEC 60704-2-13: | 50 | 56 | 62 |

Motor power: 125 W

Free outlet maximum capacity: 330 m³/h

Slider commands

3 speeds

2 aluminium grease filters

Vent outlet Ø 150 mm

2 halogen lamps (28 W)

Annual Efficiency Consumption (AEC_{hood}): 116.4 kWh/a

Fluid dynamic efficiency class F

Lighting efficiency class G

Grease filtering efficiency class C

Sound power level at highest setting (L_{wa}): 62 dB(A)

Frequency 50 Hz

Voltage 220-240 V

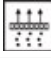



Functions

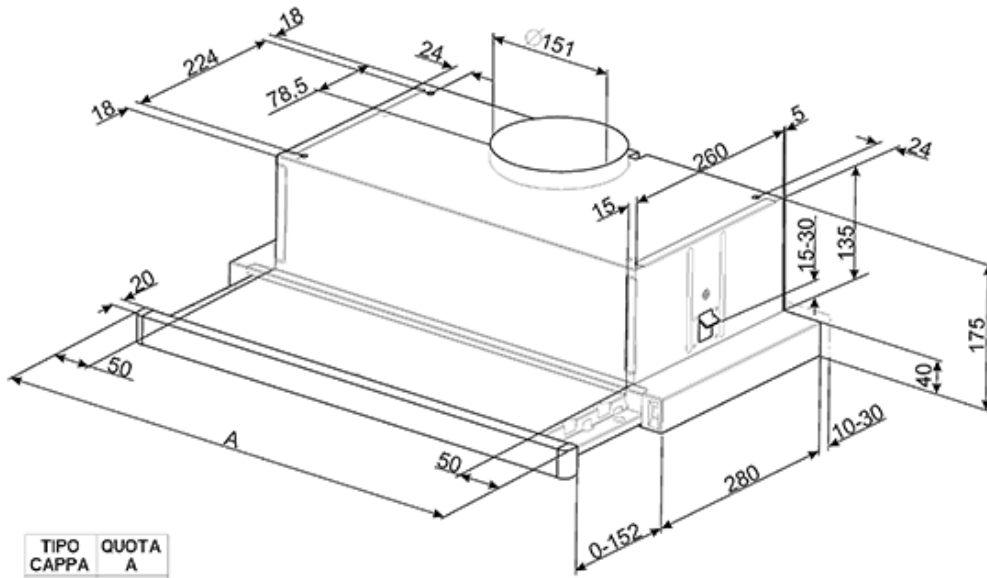




E E:
Product energy rating

 **Filters:**
Model has filters to help remove grease from the steam emanating from the pans during cooking.

 **Lights:**
All cooker hoods feature lights to illuminate the cooking area or add to the ambience of the kitchen.



| TIPO CAPPA | QUOTA A |
|---------------|------------|
| 450 | 448 |
| 500 | 498 |
| 550 | 548 |
| 600 | 598 |
| 700 | 698 |
| 800 | 798 |
| 900 | 898 |